

## Use of the 1005-249-01 Rear sight installation tool for use with the M16A2, M4 and AR-15A2 rifles

1. With the weapon safe and unloaded, strip Upper Receiver as necessary to install the Rear Sight Base, Elevation Knob Detents and Springs.
2. Lay receiver upside down and install elevation spring (fig.) (A) then insert Guide (B) into rear of receiver and align it with the rear sight hole, insert Spring Compression rod (C) and pin it in place with Locking Pin (D).
3. Now the Retaining pin may be installed (fig. 2).

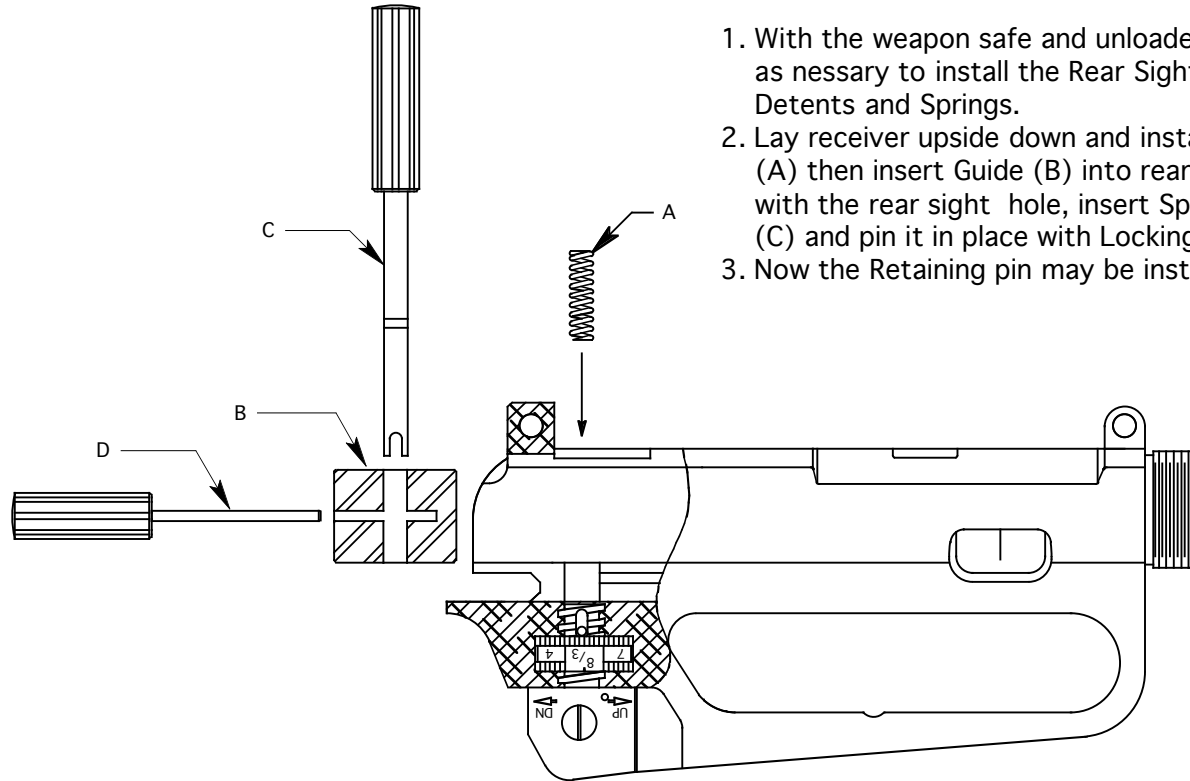


fig. 1

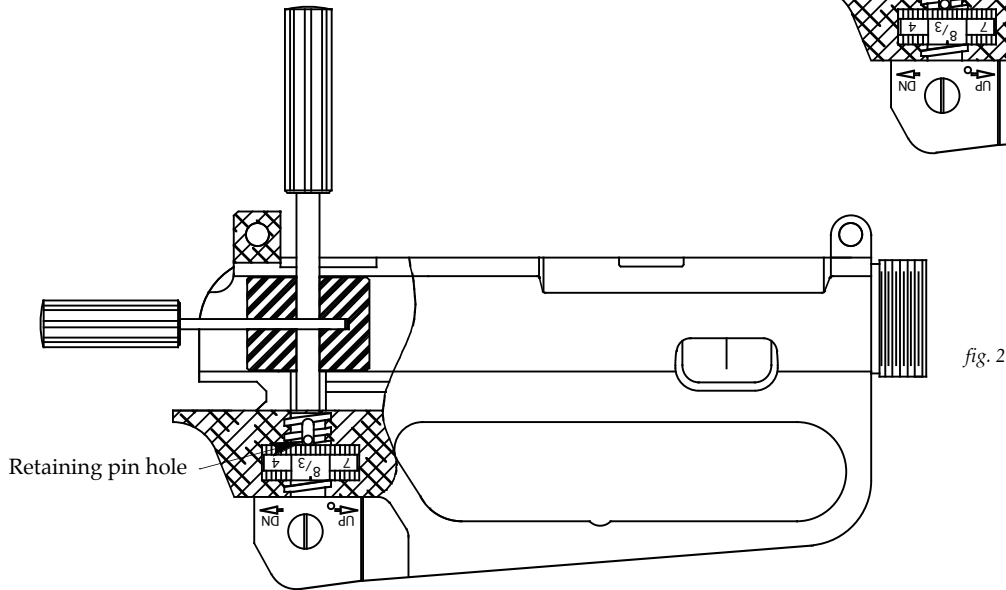


fig. 2