

# BADGER ORDNANCE

1209 Swift St. N. Kansas City MO. 64116

## *Installation of the 1005-249-20 Gen II Tactical Latch*

for use with the M16 series AR-15 series AR-10 and SR-25 rifles

### WEAR SAFETY GLASSES, SPRING UNDER COMPRESSION

1. With the weapon safe and unloaded, separate receivers as your rifles instruction manual details.
2. Remove Bolt Carrier assy. and charging handle.
3. Using a 1/16" pin punch, remove the existing Latch pin (*Fig. 1*) CAUTION MUST BE TAKEN! the spring is under compression.
4. Reverse the process with your TACTICAL LATCH, insert spring, compress with latch, and install punch (*fig. 2*).
5. Now the Retaining pin may be installed (*fig. 3*).

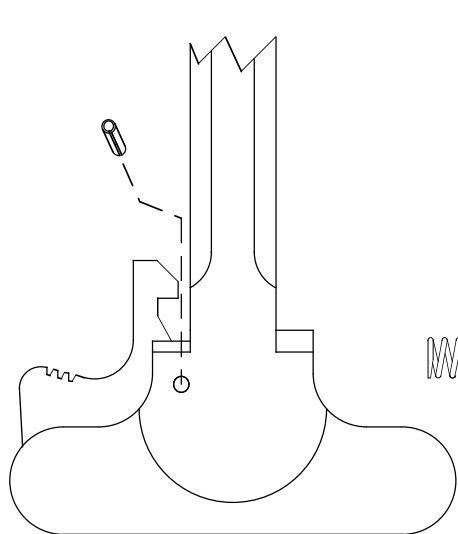


fig. 1

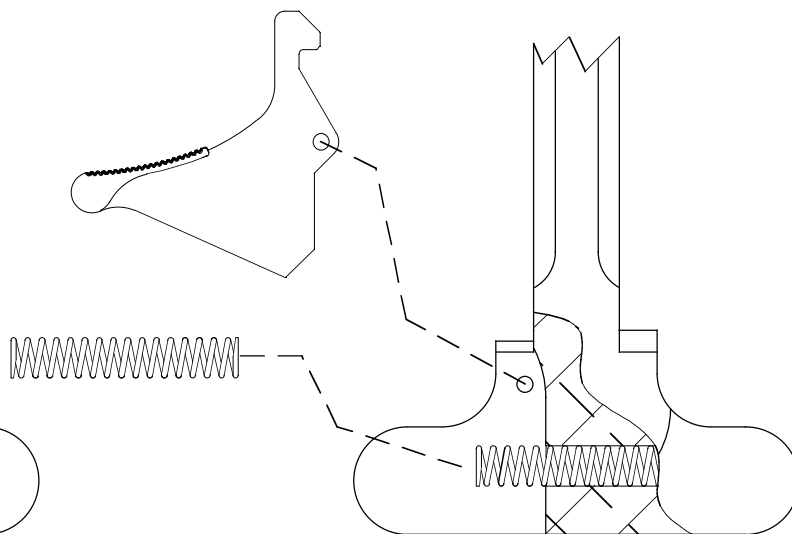


fig. 2

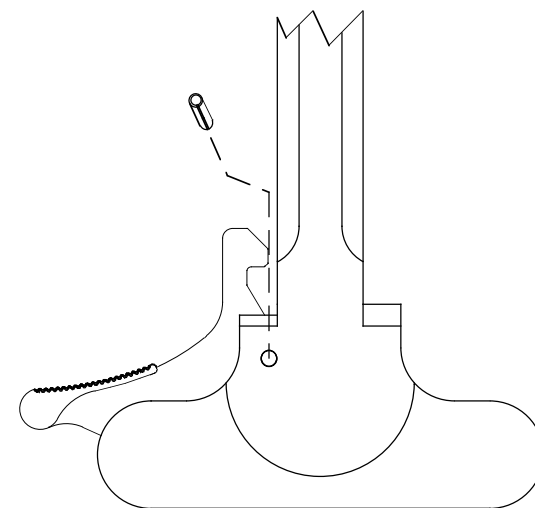


fig. 3

This product is sold "as is" and without any warranty. No liability is expressed or implied for damage or injury which may result from the improper installation or use of this product.