

# Use of the 1005-306-04 Recoil Lug/Action Alinement Fixture

**BADGER ORDNANCE**

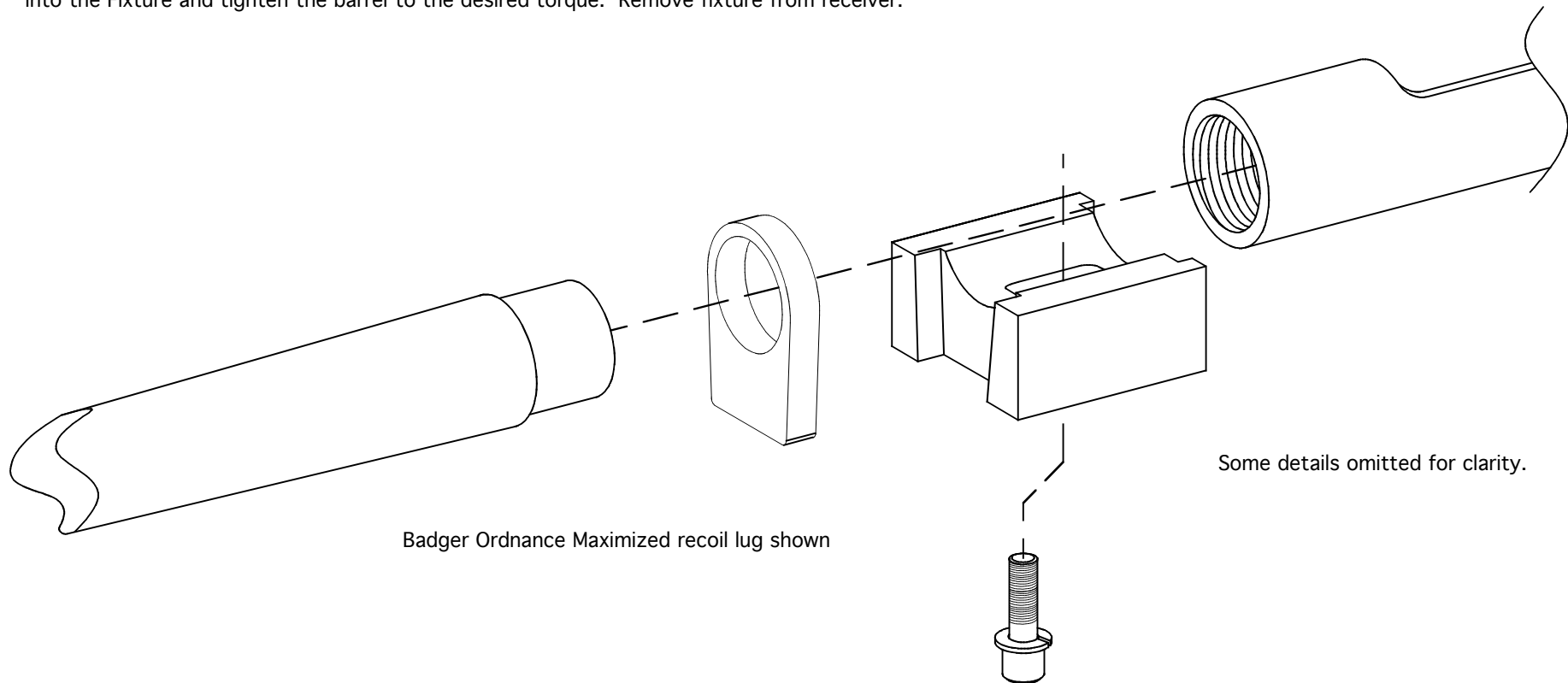
1209 Swift St. N. Kansas City, MO. 64116  
816 421-4956 FAX 816 421-4958

for use with the **CHANDLER/BADGER ORDNANCE M40A1/A2 Maximized Recoil Lug** and standard Remington M700 lugs, Dakota Arms M97 Hunter and the Beretta MATO rifles.

## **NO LOADED AMMUNITION SHOULD BE PRESENT DURING INSTALLATION**

This product should only be used by competent Gunsmiths familiar with barreling or action work.

1. Use when installing recoil lug and barrel.
2. Using a 3/16" Hex wrench, bolt the fixture to receiver ensuring the lug can freely engage the receiver.
3. Place the Lug on the barrel shank and thread the barrel into the receiver. Index the lug into the Fixture and tighten the barrel to the desired torque. Remove fixture from receiver.



This product is sold "as is" and without any warranty. No liability is expressed or implied for damage or injury which may result from the improper installation or use of this product.

© Badger Ordnance 2010