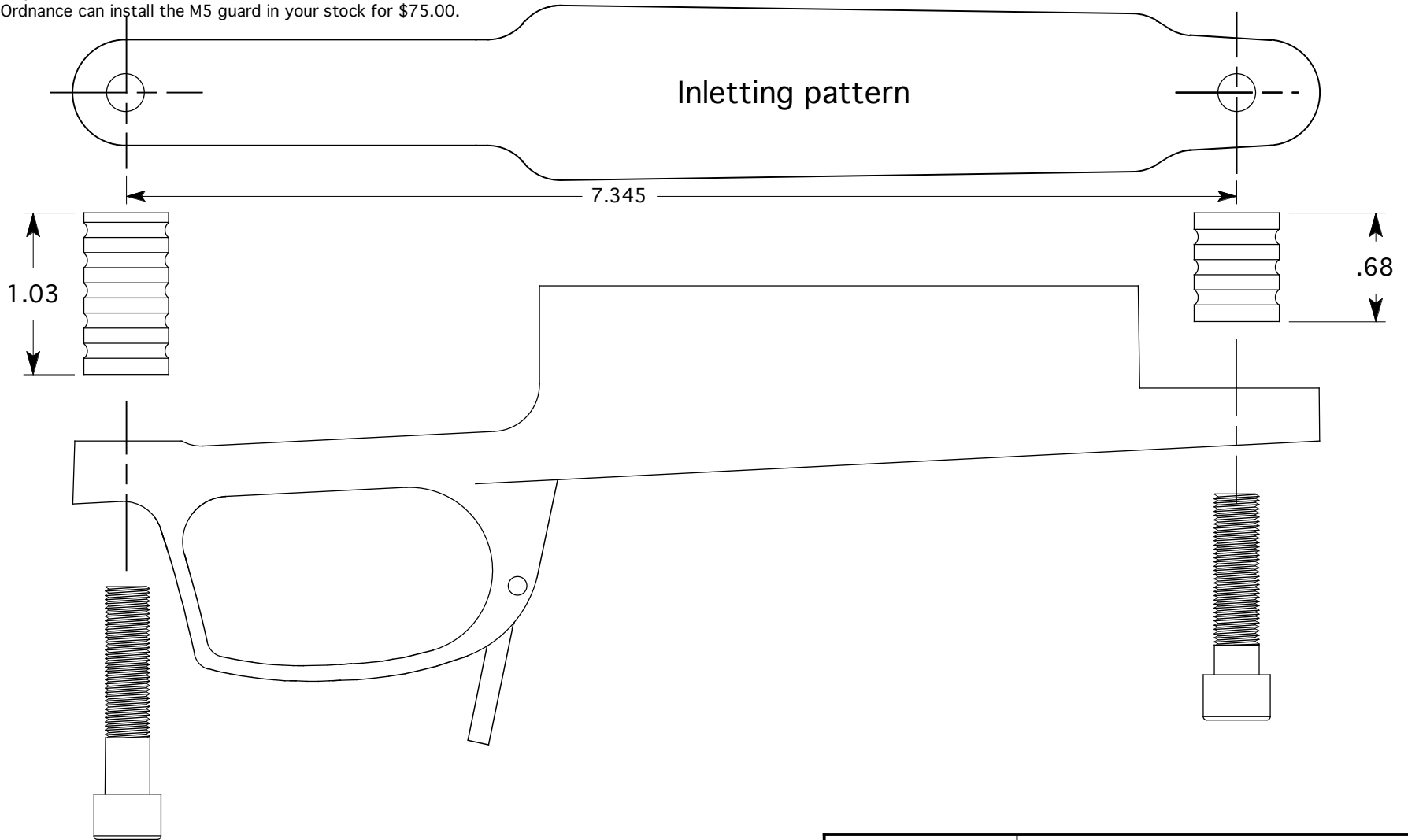


NOTES:

1. Use the included pillars to assure precise spacing of the guard to Receiver. DO NOT shorten the pillar.
2. The rear of the guard has a flat spot to interface with the Pillar, assuring absolutely parallel mounting surfaces for the pillars.
3. The supplied mounting screws will need to be checked for proper length.
4. Screw Torque: #30 Torx driver 65 In-Lbs.
Badger Ordnance can install the M5 guard in your stock for \$75.00.



Before beginning any firearms work, make certain the firearm is unloaded!

This product is sold as is and without any warranty. No liability is expressed or implied for damage or injury which may result from improper installation or use of this product.

Unless otherwise specified Diminisions are in Inches TOLERANCES: ANGLES $\pm 30^\circ$ FRACTIONS $\pm .015$.00- .01 .000- .005 .0000- .0005		BADGER ORDNANCE 1209 Swift St 816 421-4956		N. Kansas City, MO. 64116 FAX 816 421-4958	
Guard, Detachable Magazine, L/A M5					
Dwg No. 306-83-5		Part No. 306-83 & 86		Date 1 Dec 08	
ENGINEER: M. BORDSON			Scale NTS		Page 1 of 1