

# Use of the 306-94 Sniper Lightweight Integrator Combat Kit S.L.I.C.K.

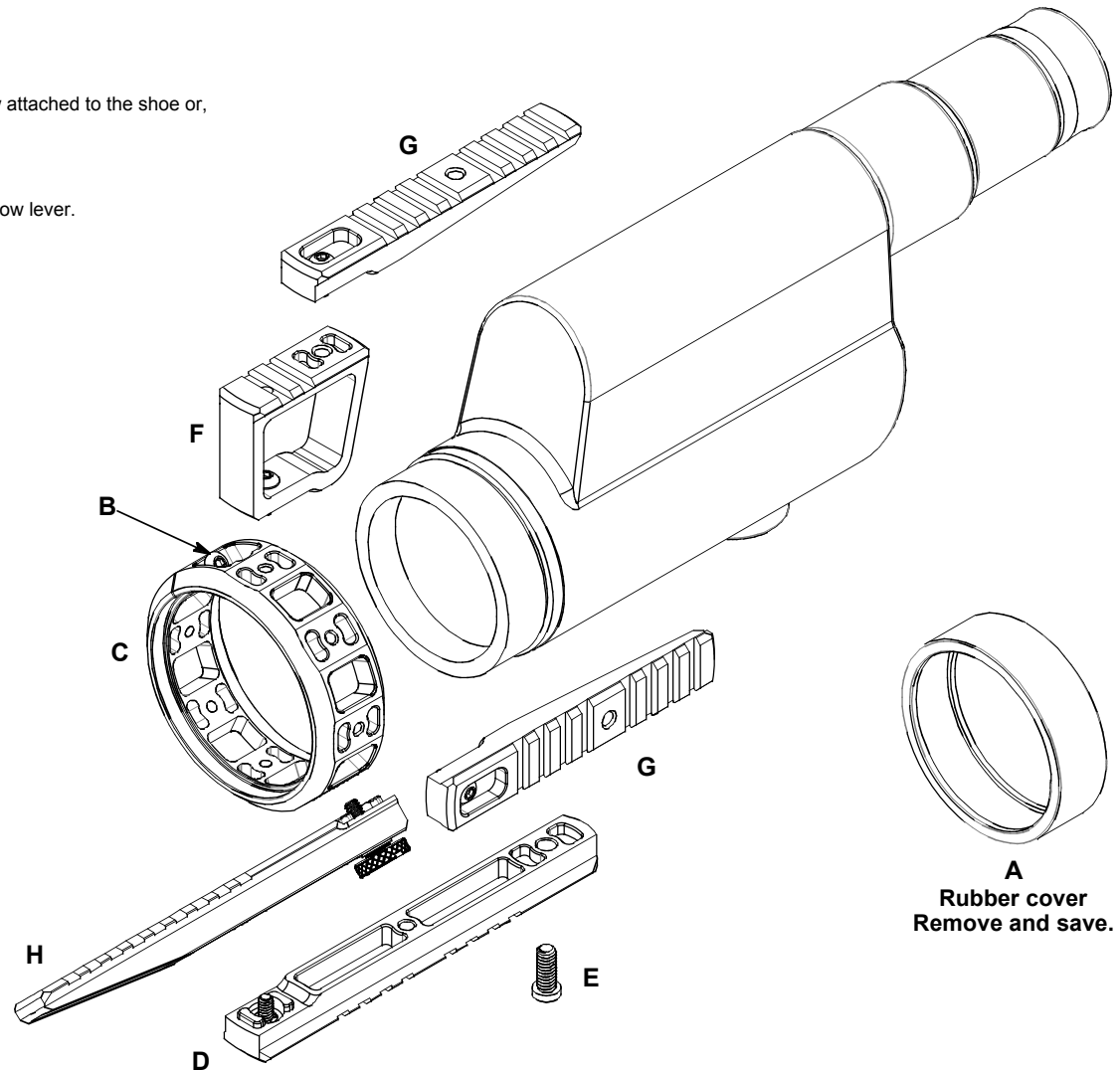
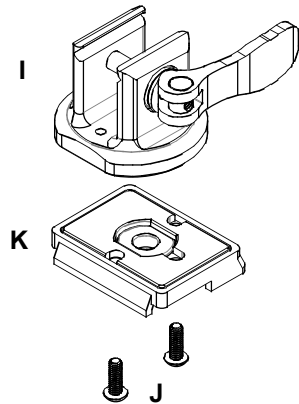
Designed for use with the M151 (Leupold Mk 4 12-40 X 60mm) Spotting Scope.

- Carefully remove the rubber objective lens armor (fig. A) by rolling the back over the front end releasing the 2 sided tape holding it in place.  
**(Be careful if you intend to reinstall the rubber armor at a later date.)**
- Install Main rail (fig. D) onto cage in preferred location with supplied 5/32" hex wrench. Make certain the Cage screw (fig. B) is loose in the Cage (fig. C).
- Slip Cage ring onto the front of the spotting scope and line up the rear main rail hole with the mounting hole in the spotting scope, install the 1/4-20 screw (fig. E), tighten with supplied 5/32" hex wrench.
- As required, install Riser (fig. F) and/or Accessory rails (fig. I).
- Install UNS rail (fig. H) as needed.
- Install your tripod shoe (fig. K) on the Rail Grabber (fig. G) using either the screw attached to the shoe or, for rock solid attachment use the screws (fig. J) and install it.
- Install Rail grabber onto your tripod.
- Slide the SLICK into the Rail Grabber, lock in desired position with the pre-set throw lever.

**MATERIAL: 6061 T4 Aluminum.**

**FINISH: Typ III Mil Spec Hard Coat Anodize, MATTE BLACK.**

**WEIGHT: 14.0 oz. (All components) 380 gm.**



**A**  
Rubber cover  
Remove and save.

ITEM	NAME	QTY
A	Rubber Objective Cover (To be removed)	N/A
B	Cage Ring Screw	1
C	Cage Ring	1
D	Main Rail	1
E	Main Rail Mounting Screw	1
F	Riser	1
G	Accrssory Rails	2
H	UNS Rail	1
I	Rail Grabber	1
J	Tripod Shoe Screws 8-32 X 1/2" (Not supplied)	2
K	Tripod shoe (Not supplied)	N/A
L	5/32" Hex wrench (Not shown)	1

**BADGER ORDNANCE**  
 1209 SWIFT ST. N. KANSAS CITY MO. 64116  
 816 421 4956 FAX 816 421 4958  
 WWW.BADGERORDNANCE.COM  
 Copyright Badger Ordnance 2014