

**Use of the 1005-200-06 Bedding Fixture
for Bedding the M14 Rifle**

Note: This fixture is for use in a 2-Part bedding process

1. Make sure the firearm is unloaded.
2. Disassemble rifle in accordance with owners/ operators manual.
3. After all preparations for bedding have been performed, Apply mould release agent to firearm and fixture. slide bedding fixture into receiver (fig. 1).
4. Apply bedding compound to receiver side of stock, set receiver into stock with the receiver lying on it's back (stock on top) install the grounding plate and thumbscrew (fig.2) and tighten.

DO NOT OVER TIGHTEN

5. Remove excess bedding compound, let harden.
6. After bedding has hardend, remove fixture, then remove receiver from stock. Clean excess bedding.
7. After the top has been Bedded, the Trigger group can now be bedded.

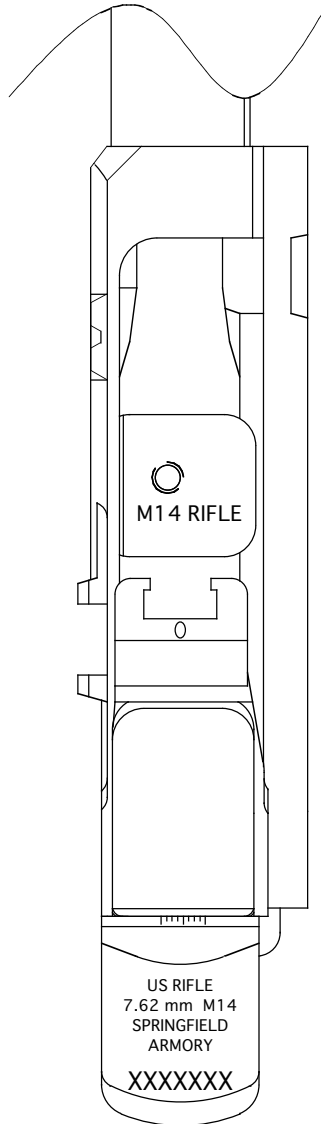


fig. 1

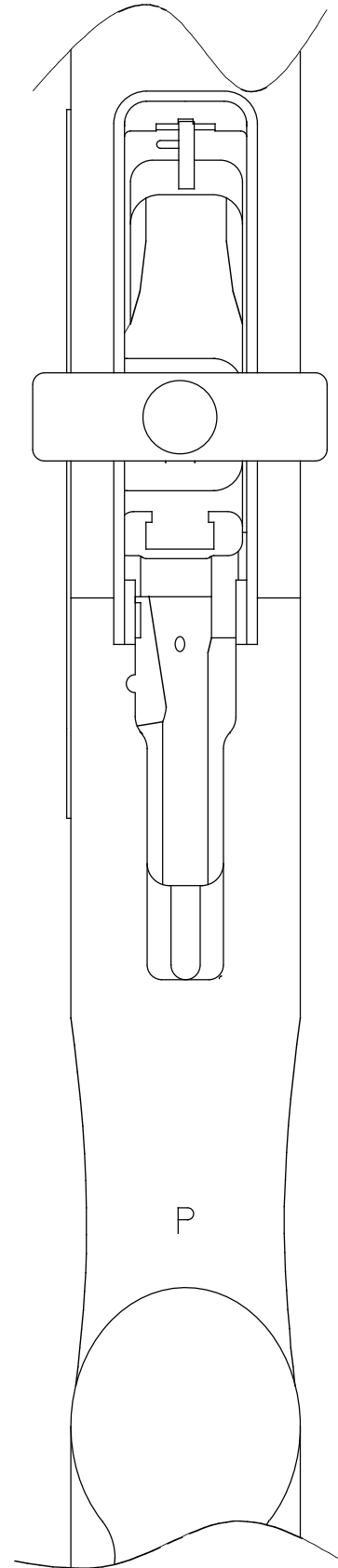


fig. 2

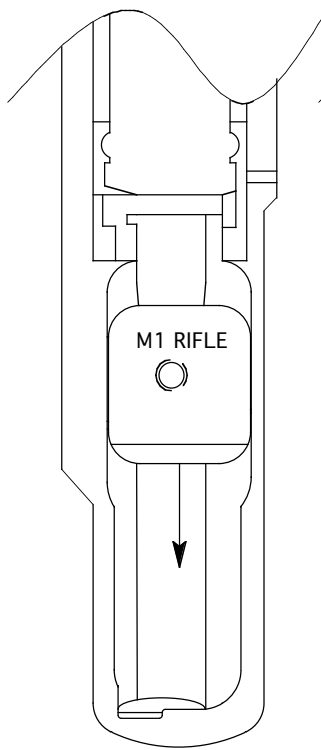


fig. 1

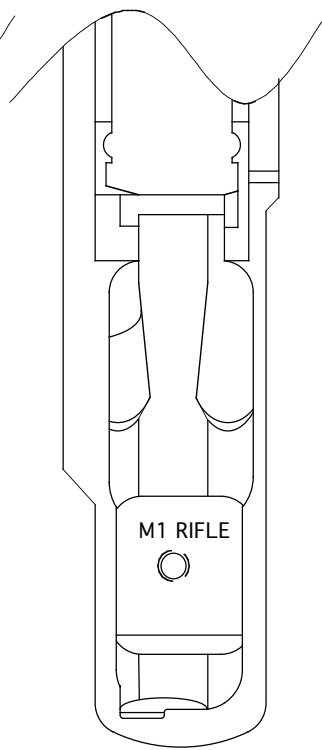


fig. 2

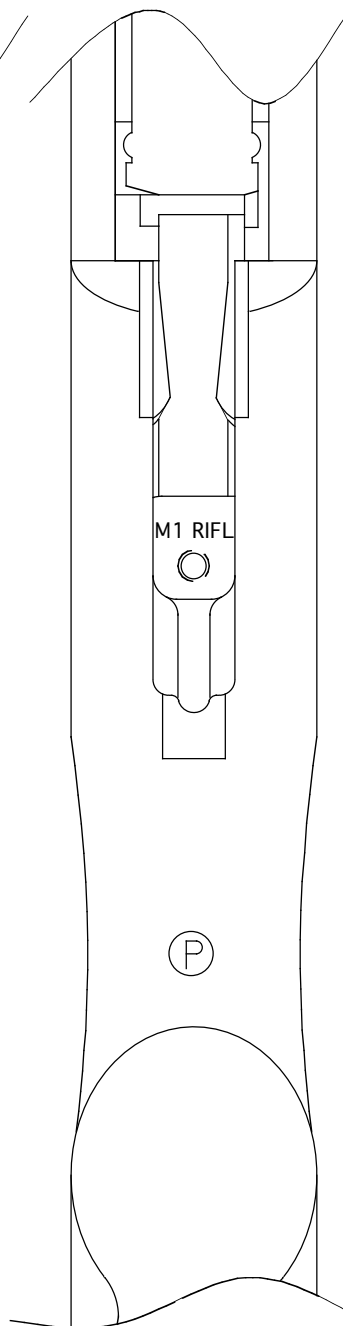


fig. 3

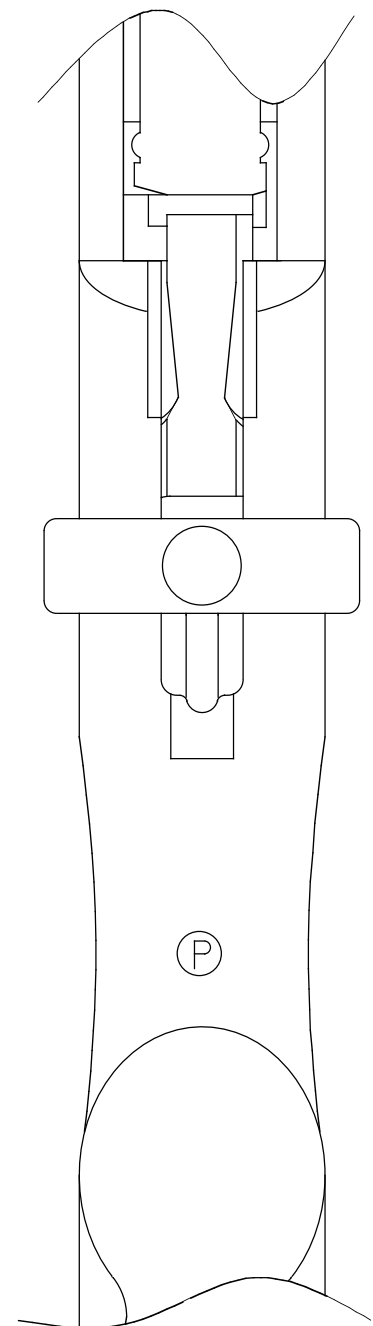


fig. 4

**Use of the 1005-200-06 Bedding Fixture
for Bedding the M1 Rifle**

**Note: This fixture is for use in a 2-Part
bedding process**

1. Make sure the firearm is unloaded.
2. Disassemble rifle in accordance with owners/operators manual.
3. After all preparations for bedding have been performed, slide bedding fixture to rear of receiver (fig. 1 & 2). Apply mould release agent to firearm and fixture.
4. Apply bedding compound to receiver side of stock, set receiver into stock (fig. 3).
5. With the receiver lying on it's back (stock on top) install the grounding plate and thumbscrew (fig. 4) and tighten.
DO NOT OVER TIGHTEN
6. Remove excess bedding compound, let harden.
7. After bedding has hardend, remove fixture, then remove receiver from stock. Clean excess bedding.
8. After the top has been Bedded, the Trigger group can now be bedded.