



1141 Swift St. N. Kansas City, MO 64116  
www.badgerordnance.com

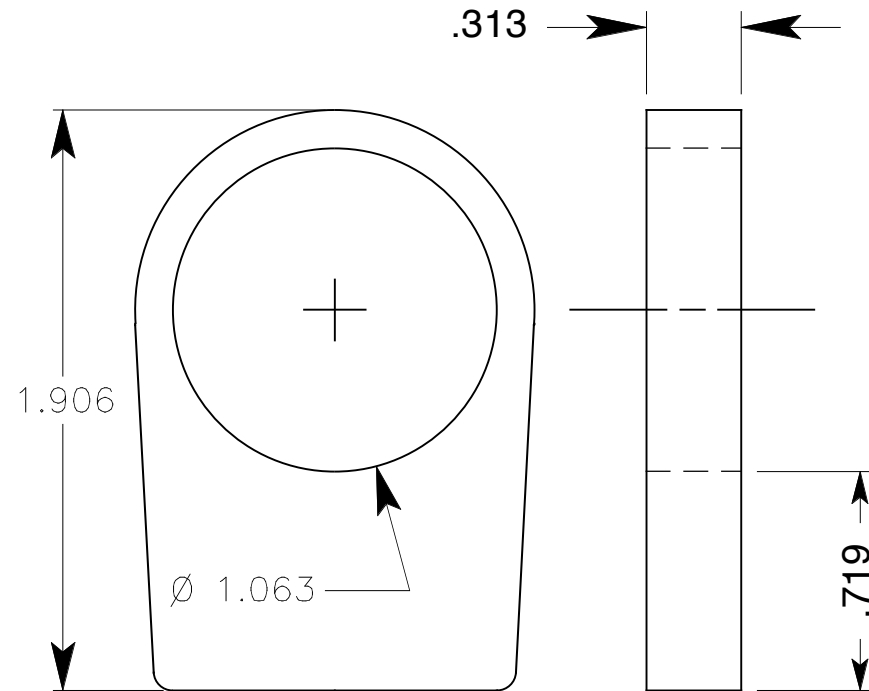
**PERFORMANCE  
PRODUCTS**

**Chandler  
M40A1/A2  
M 700 Remington®**

*Steel*

**Maximized  
Recoil Lug**

P/N 1005-306-01



**The Badger Ordnance Steel recoil lug is made from precision ground 4142 pre-hardend high carbon steel. The radiuses on the corners allow the smooth, non-marring installation and removal from a bedded stock.**

**This product is sold as is and without any warranty. No liability is expressed or implied for damage or injury which may result from improper installation or use of this product**