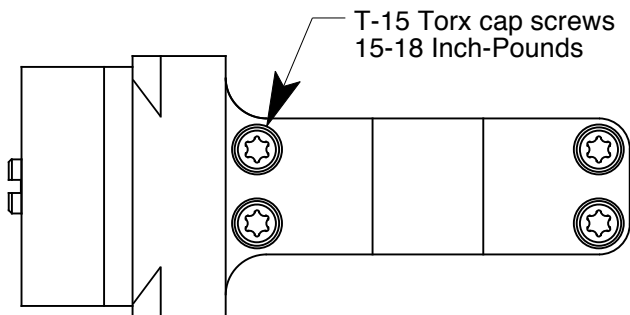
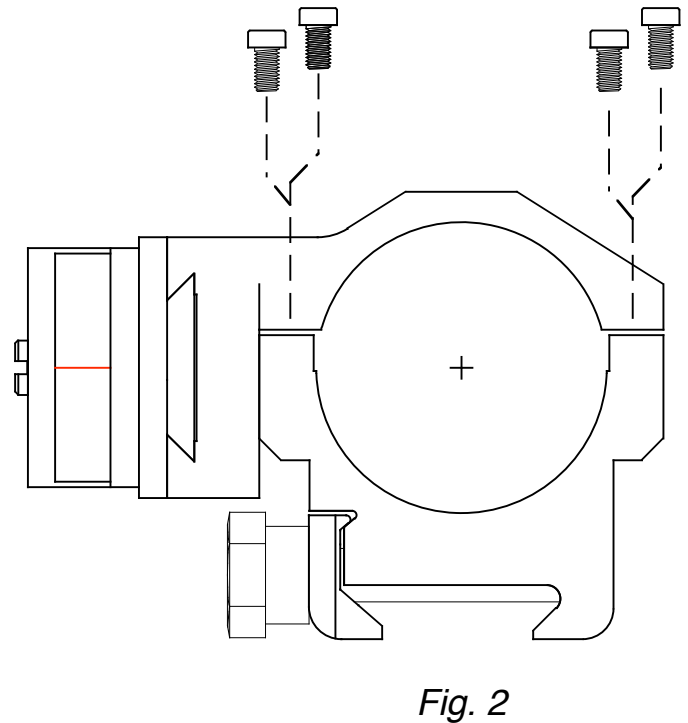
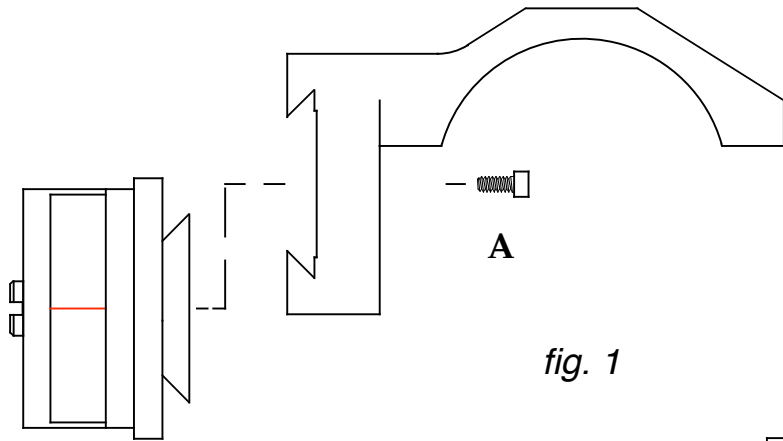


Installation of the
1005-306-48
Angle Cosine Ring Cap Mount
for the
Sniper Tools Design Angle Cosine Indicator
NSN 1005-99-212-5621



Make certain that the weapon is unloaded!

This mount is designed to fit 34 mm 4 Screw scope rings

1. Slide the Angle Cosine Indicator (ACI) into the Angle Cosine Ring Cap Mount (ACRCM) as in the diagram, using the #4-40 Cap screw (A) insert the screw into the mount and snug. **DO NOT OVER TIGHTEN!** *fig. 1*
2. Remove your existing 34 mm ring cap, retain screws.
3. Place ring cap/ACI assembly onto the ring bottom, re-install screw per manufacturers instructions *fig. 2*
4. Make sure you can operate the scope and view the Indicator.